

Bardac

OPTIDRIVE AC DRIVES 0.5 TO 250 HP

NEW... OPTIDRIVE - INDUSTRIAL AC DRIVES
OPTIDRIVE PLUS - SENSORLESS VECTOR DRIVES
OPTIDRIVE E - EASY ECONOMIC AC DRIVES
OPTIDRIVE 1 - SINGLE PHASE AC MOTOR DRIVES



HIGH PERFORMANCE - BUILT TO LAST

OPTIDRIVE & OPTIDRIVE PLUS

INDUSTRIAL DRIVES & SENSORLESS VECTOR DRIVES

0.5 TO 250 HP

OPTIDRIVE FEATURES

- Rugged compact packaging
- Silent running with up to 32KHz switching
- Output up to 400Hz size 1-2, 250Hz size 3-6
- 175% starting torque
- Built-in DB transistor available up to 250 hp
- Bipolar 12 bit analog input (isolated +/-10V or 4-20mA)
- Easy installation and fast start up
- Filters & line chokes available 25-250 hp
- Ethernet, fiber optic & RS232/485 network options
- Optiwand optical programming tool
- Single phase input up to 60 hp
- Isolated control circuits
- Power loss ride through
- Process control options
- DC injection brake
- Programmable i/o
- Hours run log
- 50°C ambient



OPTIDRIVE PLUS EXTRAS

- 3^{GV} Technology Sensorless vector control
- 100% torque at zero speed
- Speed regulation <1%
- Torque control
- Spin start into rotating motor
- Integral PI controller
- Output up to 1KHz size 1-2, 400Hz size 3-6
- Automatic energy optimizer



OPTIWAND CE PDA PROGRAMMER



drive.web
smarty
for OPTIDRIVES

The **smarty** option provides **drive.web** Internet accessible distributed control technology over Ethernet together with options for additional i/o, system functions for applications such as winders, tension controls, section controls, etc., and Modbus.

CONTROL FEATURES	OPTIDRIVE	OPTIDRIVE PLUS
Digital Inputs	3	2
Analog Input	1	1
Analog/Digital Input		1
Analog Output	1	1
Relay Contact Output	1	1

OPTIDRIVE - 110/120V, SINGLE PHASE IN, 230V, 3-PHASE OUT

SIZE	MODEL	SPECIAL FEATURES	HEAVY DUTY RATING		STANDARD DUTY RATING	
			150%, 60 Sec Overload	HP	110%, 60 Sec Overload	HP
			AMPS	AMPS	AMPS	AMPS
1	OD-11005-US		0.5	2.3	N/A	N/A
2	OD-21010-US	Brake Transistor	1.0	4.3	N/A	N/A
2	OD-21015-US	Brake Transistor	1.5	6.0	N/A	N/A

OPTIDRIVE & OPTIDRIVE PLUS - 220/240V, 1 or 3 PHASE IN, 230V, 3-PHASE OUT

SIZE	MODEL	SPECIAL FEATURES	HEAVY DUTY RATING		STANDARD DUTY RATING	
			150%, 60 Sec Overload	HP	110%, 60 Sec Overload	HP
			AMPS	AMPS	AMPS	AMPS
1	OD/ODP -12005-US		0.5	2.3	N/A	N/A
1	OD/ODP -12010-US		1.0	4.3	N/A	N/A
1	OD/ODP -12020-US		2.0	7.0	N/A	N/A
2	OD/ODP -22020-US	Brake Transistor	2.0	7.0	N/A	N/A
2	OD/ODP -22030-US	Brake Transistor	3.0	10.5	N/A	N/A

OPTIDRIVE & OPTIDRIVE PLUS - 220/240V, 3-PH IN (1-PH 50% DERATING), 230V, 3-PH OUT

SIZE	MODEL	SPECIAL FEATURES	HEAVY DUTY RATING		STANDARD DUTY RATING	
			150%, 60 Sec Overload	HP	110%, 60 Sec Overload	HP
			AMPS	AMPS	AMPS	AMPS
3	OD/ODP -32040-US	Brake Transistor	4	14	5	18
3	OD/ODP -32050-US	Brake Transistor	5	18	7.5	25
3	OD/ODP -32075-US	Brake Transistor	7.5	25	10	29.5
4	OD/ODP -42100-US	Brake Transistor, Filter, Chokes	10	39	15	46
4	OD/ODP -42150-US	Brake Transistor, Filter, Chokes	15	46	20	61
4	OD/ODP -42200-US	Brake Transistor, Filter, Chokes	20	61	25	72
4	OD/ODP -42250-US	Brake Transistor, Filter, Chokes	25	72	30	89
5	OD/ODP -52300-US	Filter, Chokes, Optional Brake Transistor	30	90	40	110
5	OD/ODP -52400-US	Filter, Chokes, Optional Brake Transistor	40	110	50	150
5	OD/ODP -52600-US	Filter, Chokes, Optional Brake Transistor	60	150	75	180
6	OD/ODP -62750-US	Filter, External Chokes, Optional Brake Transistor	75	240	100	300
6	OD/ODP -62100-US	Filter, External Chokes, Optional Brake Transistor	100	300	N/A	N/A

OPTIDRIVE & OPTIDRIVE PLUS - 380/480V, 3 PH IN (1-PH 50% DERATING), 380/460V, 3-PH OUT

SIZE	MODEL	SPECIAL FEATURES	HEAVY DUTY RATING		STANDARD DUTY RATING	
			150%, 60 Sec Overload	HP	110%, 60 Sec Overload	HP
			AMPS	AMPS	AMPS	AMPS
1	OD/ODP -14010-US		1	2.2	N/A	N/A
1	OD/ODP -14020-US		2	4.1	N/A	N/A
2	OD/ODP -24010-US	Brake Transistor	1	2.2	N/A	N/A
2	OD/ODP -24020-US	Brake Transistor	2	4.1	N/A	N/A
2	OD/ODP -24030-US	Brake Transistor	3	5.8	N/A	N/A
2	OD/ODP -24050-US	Brake Transistor	5	9.5	N/A	N/A
3	OD/ODP -34075-US	Brake Transistor	7.5	14	10	18
3	OD/ODP -34100-US	Brake Transistor	10	18	15	25
3	OD/ODP -34150-US	Brake Transistor	15	25	20	29.5
3	OD/ODP -34200-US	Brake Transistor	20	29.5	N/A	N/A
4	OD/ODP -44250-US	Filter, Chokes, Brake Transistor	25	39	30	46
4	OD/ODP -44300-US	Filter, Chokes, Brake Transistor	30	46	40	61
4	OD/ODP -44400-US	Filter, Chokes, Brake Transistor	40	61	50	72
4	OD/ODP -44500-US	Filter, Chokes, Brake Transistor	50	72	60	88
5	OD/ODP -54600-US	Filter, Chokes, Optional Brake Transistor	60	88	75	110
5	OD/ODP -54750-US	Filter, Chokes, Optional Brake Transistor	75	110	100	150
5	OD/ODP -54100-US	Filter, Chokes, Optional Brake Transistor	100	150	150	180
5	OD/ODP -54150-US	Filter, Chokes, Optional Brake Transistor	150	180	N/A	N/A
6	OD/ODP -64160-US	Filter, External Chokes, Optional Brake Transistor	160	202	200	240
6	OD/ODP -64200-US	Filter, External Chokes, Optional Brake Transistor	200	240	250	300
6	OD/ODP -64250-US	Filter, External Chokes, Optional Brake Transistor	250	300	N/A	N/A

DIMENSIONS & WEIGHTS

- SIZE 1, 6.1" high, 3.15" wide, 5.1" deep, 2.5lbs (150, 80, 130mm, 1.1kg)
- SIZE 2, 10.25" high, 3.95" wide, 6.9" deep, 5.9lbs (260, 100, 175mm, 2.6kg)
- SIZE 3, 10.25" high, 6.75" wide, 6.9" deep, 12lbs (260, 171, 175mm, 5.3kg)
- SIZE 4, 20.5" high, 13.4" wide, 8.7" deep, 63lbs (520, 340, 220mm, 28kg)
- SIZE 5 ≤90 amps, 41.2" high, 13.4" wide, 8.7" deep, 153lbs (1045, 340, 220mm, 68kg)
- SIZE 5 ≥110 amps, 44.5" high, 13.4" wide, 13" deep, 153lbs (1130, 340, 330mm, 68kg)
- SIZE 6, 44.5" high, 13.4" wide, 13" deep, 153lbs (1130, 340, 330mm, 68kg)

OPTIONS

- **OPTIWAND CE** - PDA configuration, cloning and programming software
- **OPTILINK** - fiber optic drive-to-drive networking link
- **OPTISTORE** - Windows PC software for configuration, monitoring & data logging



OPTIDRIVE OPTIONS

FOR OPTIDRIVE & OPTIDRIVE PLUS



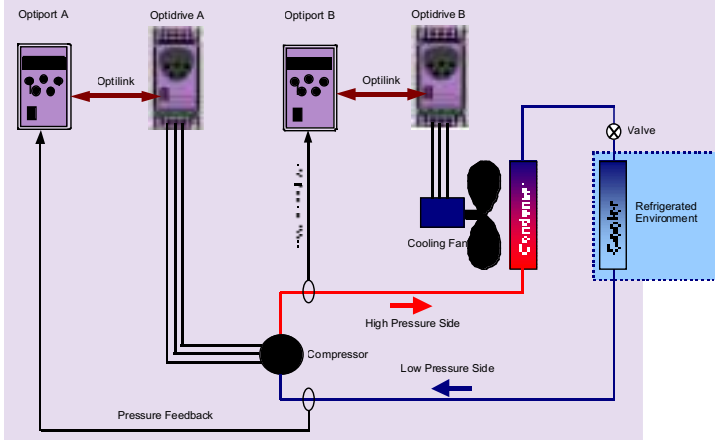
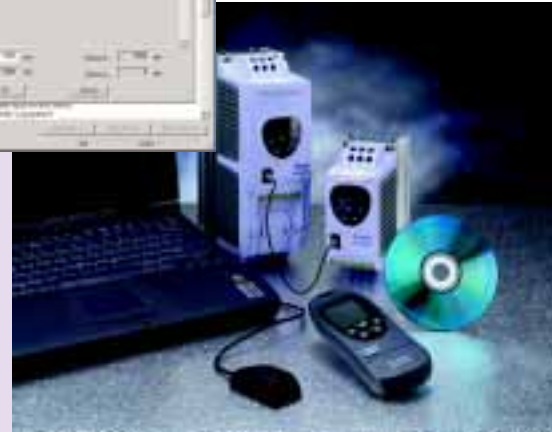
OPTIWAND CE

Configuration tools that provides fast drive programming, cloning and diagnostics via the infrared link.



OPTISTORE

A Windows PC package for parameter management, network monitoring and data logging. It connects to the OPTIWAND via the OPTIMOUSE or the drive via the RS232 option card

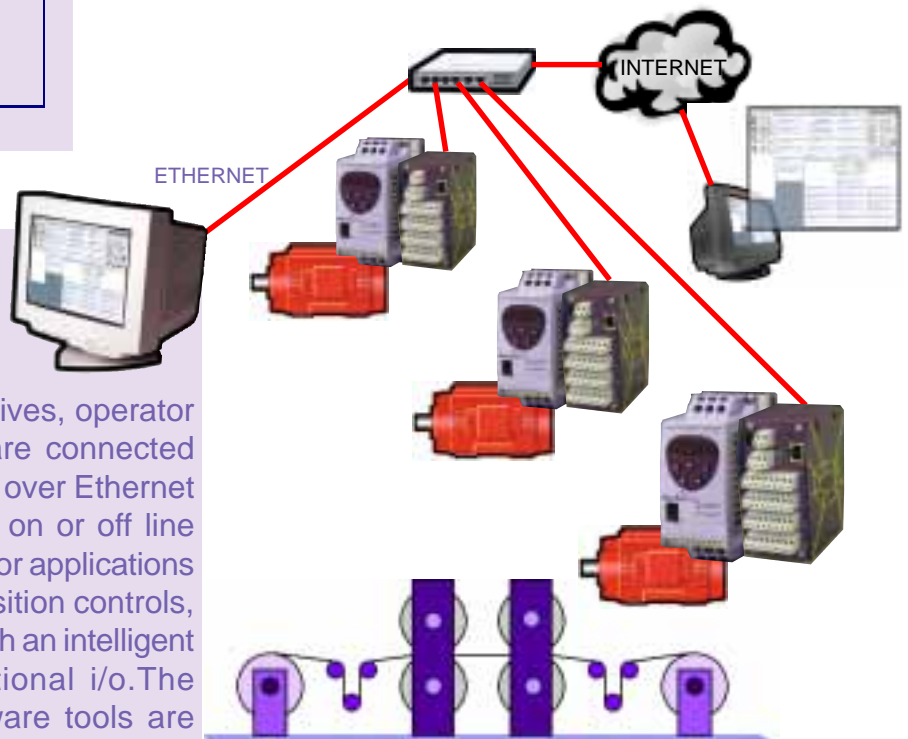


OPTIPORT

Intelligent remote keypad and display that provides additional i/o and basic process control functions. It can be interfaced to one or multiple Optidrives and the Optiwand.

drive.web FOR OPTIDRIVES

The **drive.web** Internet accessible distributed control technology provides powerful system configuration, monitoring and diagnostic functions. Drives, operator stations, PLCs and SCADA systems are connected together using industry standard TCP/IP over Ethernet and system configurations can be built on or off line with arithmetic, logic and function blocks for applications such as coordinated drives, winders, position controls, etc. **drive.web smarty** boxes provide both an intelligent interface to the Optidrives and additional i/o. The **drive.web savvy** system design software tools are platform independent and are automatically updated from www.driveweb.com.



drive.web

OPTIDRIVE OPTIONS

ITEM	DESCRIPTION
dw113	SMART <i>drive.web smarty-so</i> INTERFACE WITH S-PROCESSOR ENGINE
dw123	SMARTER <i>drive.web smarty-go</i> INTERFACE WITH GT-PROCESSOR ENGINE
-02 OPTION	ISOLATED MODBUS RS485
-03 OPTION	7 UNIVERSAL A/D INPUTS, 2 ANALOG OUTPUTS, 3 DIGITAL i/o
-04 OPTION	MODBUS TCP/IP
-05 OPTION	FUNCTION BLOCK LIBRARY 1
-06 OPTION	FUNCTION BLOCK LIBRARY 2
-07 OPTION	ENCODER 1 INPUT, BIDIRECTIONAL WITH MARKER PULSE
-08 OPTION	ENCODER 2 INPUT, BIDIRECTIONAL WITH MARKER PULSE
-09 OPTION	REAL TIME CLOCK
OD-OWAND-US	OPTIWAND INFRARED PROGRAMING TOOL
OD-OWKIT-US	OPTIWAND, OPTISTORE & OPTIMOUSE KIT
OD-OPORT-US	OPTIPORT REMOTE KEYPAD & PI CONTROLLER
OD-OPKIT-US	OPTIPORT KIT
OD-RS485-US	RS485 COMMUNICATIONS INTERFACE
OD-RS485-US	RS485 COMMUNICATIONS INTERFACE
OD-OLINK-US	OPTILINK DRIVE-TO-DRIVE FIBER OPTIC KIT
OD-SATLINK-US	OPTIDRIVE SATELLITE - GSM LINK
OD-FBUSG-US	OPTIDRIVE FIELDBUS GATEWAY - PROFIBUS DP
OD-MODBUS-US	OPTIDRIVE MODBUS CONTROL DEVICE
OD-2ANIN-US	DUAL ANALOG INPUT BOARD
OD-2ROUT-US	DUAL RELAY OUTPUT BOARD
OD-PICON-US	ANALOG PI CONTROL BOARD
OD-F1121-US	OPTIFILTER, DRIVE SIZE 1, 230V, 1-PHASE
OD-F2121-US	OPTIFILTER, DRIVE SIZE 2, 230V, 1-PHASE
OD-F1341-US	OPTIFILTER, DRIVE SIZE 1, 230V, 3-PHASE
OD-F2341-US	OPTIFILTER, DRIVE SIZE 2, 230V, 3-PHASE
OD-F3341-US	OPTIFILTER, DRIVE SIZE 3, 230V, 3-PHASE
OD-BRES2-US	DB RESISTOR, DRIVE SIZE 2, 50Ω, 200W
OD-BRES4-US	DB RESISTOR, DRIVE SIZE 4, 50Ω, 500W
OD-INPL2-US	LINE CHOKE, DRIVE SIZE 2, 230/480V
OD-INPL3-US	LINE CHOKE, DRIVE SIZE 3, 230/480V
OD-SINF2-US	OUTPUT FILTER DRIVE SIZE 2, 480V, 10A
OD-SINF3-US	OUTPUT FILTER DRIVE SIZE 3, 480V, 30A
OD-SINF4-US	OUTPUT FILTER DRIVE SIZE 4, 480V, 90A
OD-SINF5-US	OUTPUT FILTER DRIVE SIZE 5, 480V, 180A
OD-SINF6-US	OUTPUT FILTER DRIVE SIZE 6, 480V, 250A
OD-IP40K-US	OPTIDRIVE SIZE 2 IP40 KIT
OD-DINPL-01	DINRAIL MOUNTING KIT FOR DRIVE SIZE 1
OD-DINPL-02	DINRAIL MOUNTING KIT FOR DRIVE SIZE 2



OPTIPORT OPTIMOUSE OPTILINK OPTIWAND OPTISTORE

RS485

FILTERS DB RESISTORS

OPTIDRIVE E

EASY ECONOMIC AC DRIVES 0.5 TO 5 HP

Supply Options:

- 110-120V single phase
- 220-230V single phase
- 380-480V 3-phase
- Rugged compact packaging
- Silent running with 32KHz switching
- Output frequency up to 400Hz
- 12 bit analog input (isolated 10V or 4-20mA)
- Overload rating 150% for 60 seconds
- DC injection braking
- Easy installation and fast start up
- Isolated control circuits
- Programmable i/o
- Hours run log
- 50°C ambient
- Power loss ride through
- Integral RFI filter option



OPTIDRIVE E - 110/120V, SINGLE PHASE INPUT, 230V, 3-PHASE OUTPUT

SIZE	MODEL	DIMENSIONS & WEIGHT	HEAVY DUTY RATING 150%, 60 Sec Overload	
			HP	AMPS
1	ODE-11005-US	6.1" high, 3.15" wide, 5.1" deep, 2.5lbs	0.5	2.3
2	ODE-21010-US	10.25" high, 3.95" wide, 6.9" deep, 6lbs	1.0	4.3
2	ODE-21015-US	10.25" high, 3.95" wide, 6.9" deep, 6lbs	1.5	6.0

OPTIDRIVE E - 220/240V, SINGLE PHASE INPUT, 230V, 3-PHASE OUTPUT

SIZE	MODEL	DIMENSIONS & WEIGHT	HEAVY DUTY RATING 150%, 60 Sec Overload	
			HP	AMPS
1	ODE-12005-US	6.1" high, 3.15" wide, 5.1" deep, 2.5lbs	0.5	2.3
1	ODE-12010-US	6.1" high, 3.15" wide, 5.1" deep, 2.5lbs	1.0	4.3
1	ODE-12020-US	6.1" high, 3.15" wide, 5.1" deep, 2.5lbs	2.0	7.0
2	ODE-22030-US	10.25" high, 3.95" wide, 6.9" deep, 6lbs	3.0	10.5

OPTIDRIVE E - 380/460V, 3 PHASE INPUT, 380/460V, 3-PHASE OUTPUT

SIZE	MODEL	DIMENSIONS & WEIGHT	HEAVY DUTY RATING 150%, 60 Sec Overload	
			HP	AMPS
1	ODE-14010-US	6.1" high, 3.15" wide, 5.1" deep, 2.5lbs	1	2.2
1	ODE-14020-US	6.1" high, 3.15" wide, 5.1" deep, 2.5lbs	2	4.1
2	ODE-24030-US	10.25" high, 3.95" wide, 6.9" deep, 6lbs	3	5.8
2	ODE-24050-US	10.25" high, 3.95" wide, 6.9" deep, 6lbs	5	9.5



HIGH PERFORMANCE

OPTIDRIVE 1

FOR SINGLE PHASE AC MOTOR SPEED CONTROL
UP TO 1.5 HP



Single Phase AC Induction Motor types:
Permanent Split Capacitor (PSC)
Shaded-Pole

Supply & Motor Voltage Options:
110-120V single phase
220-230V single phase

Smart variable frequency technology
Rugged compact packaging
Optiwand & Optistore configuration
and parameter storage
Silent running with up to 32KHz switching
Output frequency up to 400Hz
12 bit analog input (isolated 10V or 4-20mA)
Overload rating 150% for 60 seconds
DC injection braking
Easy installation and fast start up
Isolated control circuits
Programmable i/o
Hours run log
50°C ambient
Power loss ride through
Integral RFI filter option

Options:

Optiwand 1
Optistore
RS232 or RS485
Optilink networking
Optidrive Fieldbus Gateway
Optidrive Satlink
Optiport
Optifilter
Optibrake
Input Chokes & Output Filters
2ANIN alternate analog input selection
2ROUT additional relay output
PICON Simple PI control loop
drive.web Ethernet distributed control



OPTIDRIVE 1 - 110/120V, SINGLE PHASE INPUT, 115V, SINGLE PHASE OUTPUT

SIZE	MODEL	DIMENSIONS & WEIGHT	HEAVY DUTY RATING 150%, 60 Sec Overload	
			HP	AMPS
1	OD1-11050-US	6.1" high, 3.15" wide, 5.1" deep, 2.5lbs	0.5	7.0
2	OD1-21075-US	10.25" high, 3.95" wide, 6.9" deep, 6lbs	0.75	10.5

OPTIDRIVE 1 - 220/240V, SINGLE PHASE INPUT, 230V, SINGLE PHASE OUTPUT

SIZE	MODEL	DIMENSIONS & WEIGHT	HEAVY DUTY RATING 150%, 60 Sec Overload	
			HP	AMPS
1	OD1-12050-US	6.1" high, 3.15" wide, 5.1" deep, 2.5lbs	0.5	4.3
1	OD1-12100-US	6.1" high, 3.15" wide, 5.1" deep, 2.5lbs	1.0	7.0
2	OD1-22150-US	10.25" high, 3.95" wide, 6.9" deep, 6lbs	1.5	10.5

BUILT TO LAST

www.bardac.com
Tel 410-604-3400



OPTIDRIVE

TOUGH DRIVES FOR INDUSTRY

For tough jobs in harsh environments the Optidrive has the capacity to handle repetitive overloads, heavy braking, poor power quality and wide temperature ranges without flinching.

Optidrives show their colors where others fear to tread!



In multi-drive systems the Optidrive offers all the options you will need for, Internet connectivity, distributed control and secure, high performance networking with fiber optics, Ethernet and most other standards.



The Optidrive & Optidrive Plus high frequency output capability provides excellent control for high speed spindle motors in machine tools, centrifuges, grinders, routers, etc.

The Optidrives are a great complement to the Bardac family of drive products:

drive.web Internet accessible, Ethernet based distributed control technology

E-Series AC high performance flux vector systems drives up to 1000+ hp

PL-Series DC digital regen & non-regen systems drives up to 2000+ hp

Single phase DC regen and non-regen drives up to 10 hp

Bardac

BARDAC CORPORATION

40 Log Canoe Circle, Stevensville, MD 21666 USA

Toll Free USA 1-888-667-7333 (1-888-ON SPEED)

Tel 410-604-3400

Fax 410-604-3500

www.bardac.com

www.driveweb.com