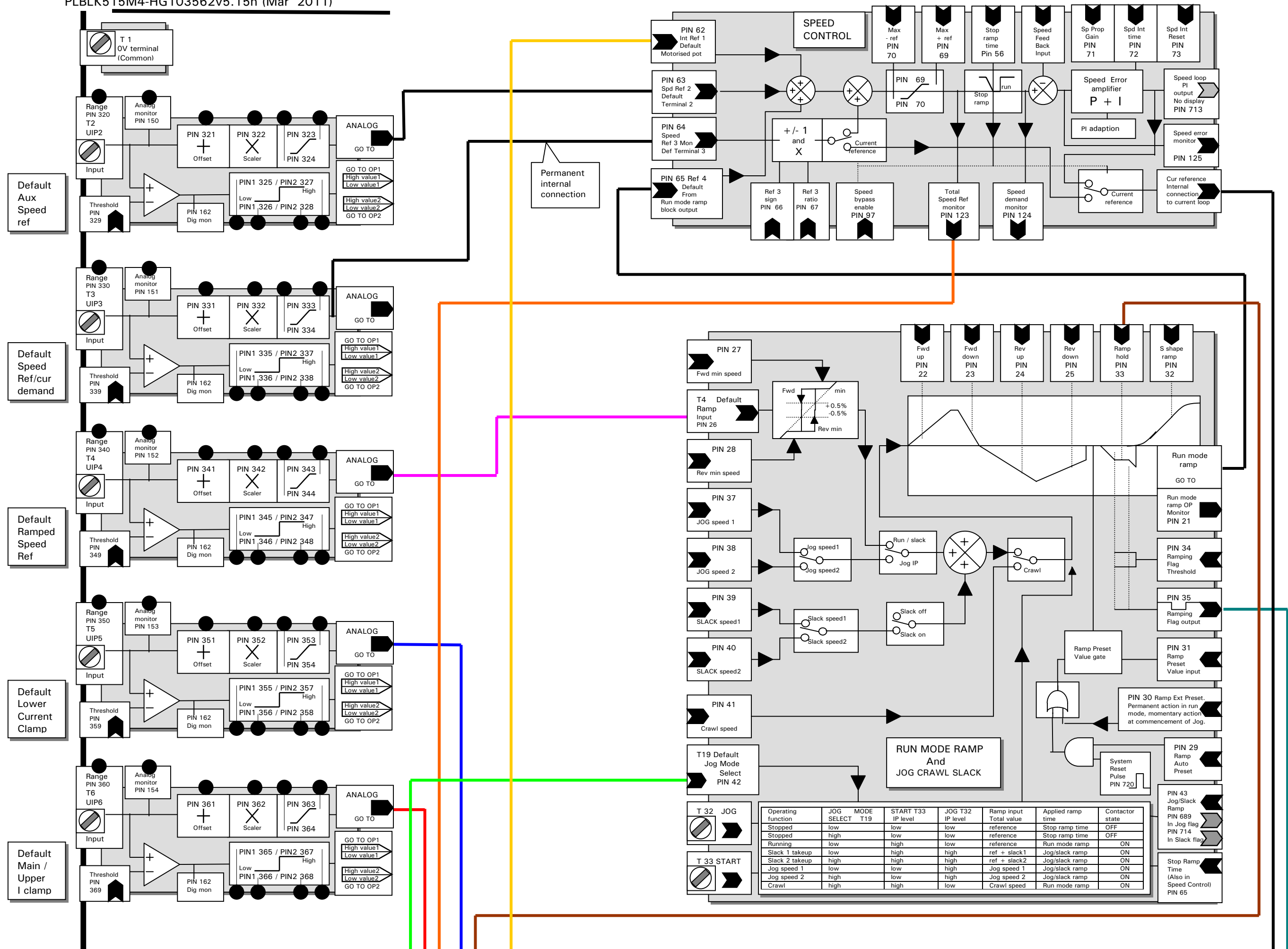


1 Default Block Diagram

PLBLK515M4-HG103562v5.15h (Mar 2011)



Operating function	JOG SELECT	MODE T19	START T33 IP level	JOG T32 IP level	Ramp input Total value	Applied ramp time	Contact state
Stopped	low	low	low	low	reference	Stop ramp time	OFF
Stopped	high	low	low	low	reference	Stop ramp time	OFF
Running	low	high	low	low	reference	Run mode ramp	ON
Slack 1 takeup	low	high	high	high	ref + slack1	Jog/slack ramp	ON
Slack 2 takeup	high	high	high	high	ref + slack2	Jog/slack ramp	ON
Jog speed 1	low	low	high	high	Jog speed 1	Jog/slack ramp	ON
Jog speed 2	high	low	high	high	Jog speed 2	Jog/slack ramp	ON
Crawl	high	high	low	low	Crawl speed	Run mode ramp	ON

Default block diagram 2

