

Application Note

AN-ODP-22

Using the Optidrive Plus with 8 preset speeds

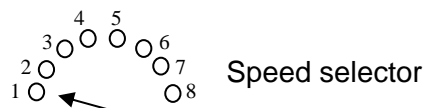
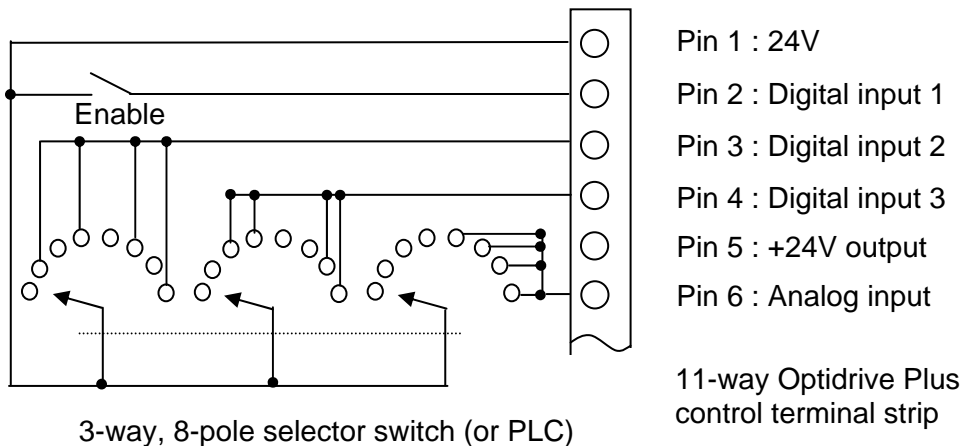
Author: Ning Xu, Invertek Drives Ltd

Revision: 2.21 6 September 2006

- **General**

The Optidrive Plus can be configured to operate with any one of 8 preset speeds. These can be selected using a 3-pole, 8-position selector switch. A PLC may also be used if preferred.

- **Wiring details :**



- **Notes :**

1. The Optidrive plus must be set to terminal mode with P1-12 = 0 and P2-01 = 2. Also P2-30 should be set to 0-24V mode.
2. The preset speeds are set in parameters P1-11, P2-02, P-03, P2-04, P2-05, P2-06, P2-07 and P2-08. The preset speeds can be set to any value between -P1-01 and P1-01.
3. The selector switch must be mechanically linked such that the three poles are switched simultaneously. Each switch position selects one of the eight available preset speeds. Due to the complexity of this type of switch, it may be beneficial to use a simple PLC.

--- End ---